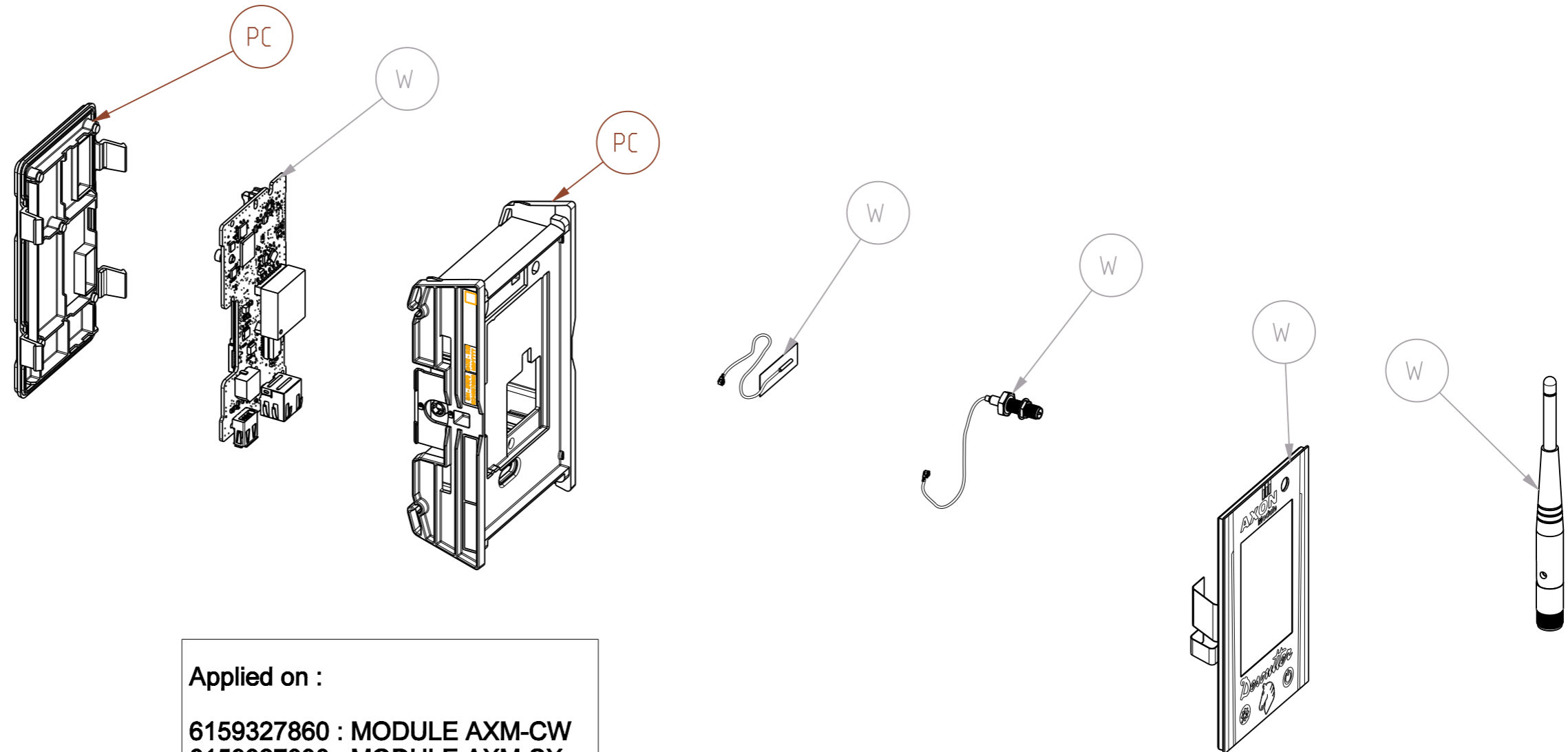
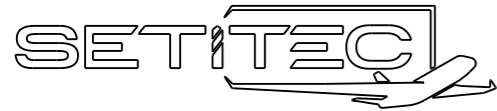




PRODUCT - DECOMMISSIONING

Part N° : 6159910090
Rev N° : 01
Date : 2023/06/16
Sheet : 1 / 1



AL ALUMINIUM

ST STEEL

W WEEE

PVC POLYVINYL CHLORIDE

PA POLYAMIDE

TPU THERMOPLASTIC POLYURETHANE

PP POLYPROPYLENE

PS POLYSTYRENE

PC POLYCARBONATE

ABS-PC ACRYLONITRILE BUTADIENE STYRENE - POLYCARBONATE

PPS POLYPHENYLENE SULFIDE

PBT POLYBUTYLENE TEREPHTALATE

PEEK POLYETHERETHERCETONE

PET POLYTEREPHTALATE D'ETHYLENE

Applied on :

- 6159327860 : MODULE AXM-CW
- 6159327830 : MODULE AXM-SX
- 6159327840 : MODULE AXM-SW
- 6159327850 : MODULE AXM-S54